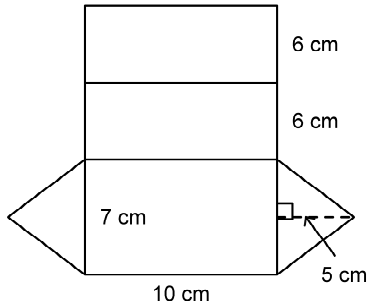


Surface Area Triangular Prisms

Multiple Choice

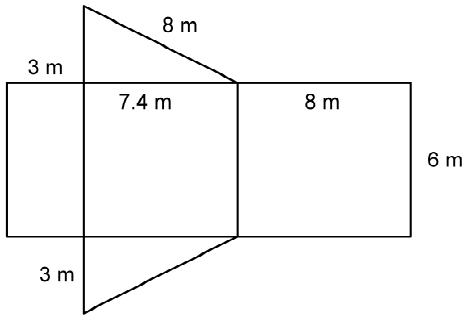
Identify the choice that best completes the statement or answers the question.

- ____ 1. Calculate the area of this net of a right triangular prism.



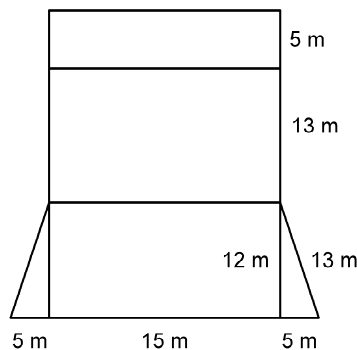
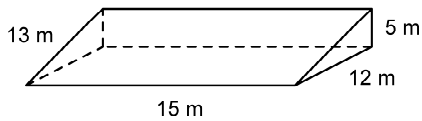
- a. 225 cm^2 b. 207.5 cm^2 c. 165 cm^2 d. 147.5 cm^2

- ____ 2. Calculate the area of this net of a right triangular prism.



- a. 88.2 m^2 b. 132.6 m^2 c. 56 m^2 d. 66.6 m^2

- ____ 3. Use the net to find the surface area of the right triangular prism.

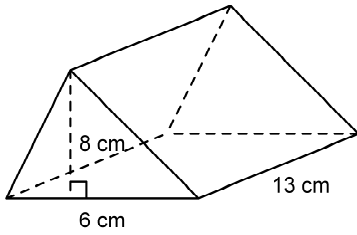


- a. 90 m^2 b. 585 m^2 c. 510 m^2 d. 2340 m^2

Name: _____

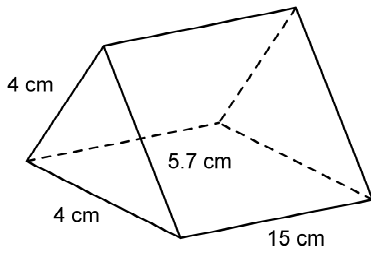
ID: A

- ___ 4. Calculate the area of the 2 triangular faces of this right triangular prism.



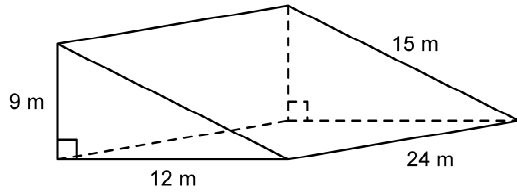
- a. 24 cm^2 b. 48 cm^2 c. 39 cm^2 d. 96 cm^2

- ___ 5. The area of each triangular face of this right triangular prism is 8 cm^2 . Calculate the total surface area of the prism.



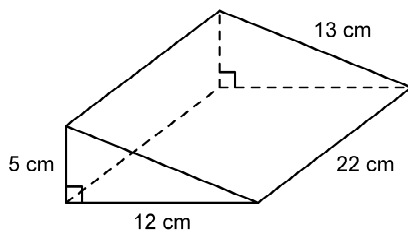
- a. 28.7 cm^2 b. 120 cm^2 c. 213.5 cm^2 d. 221.5 cm^2

- ___ 6. Calculate the surface area of this right triangular prism.



- a. 1080 m^2 b. 918 m^2 c. 648 m^2 d. 972 m^2

- ___ 7. Calculate the surface area of this right triangular prism.

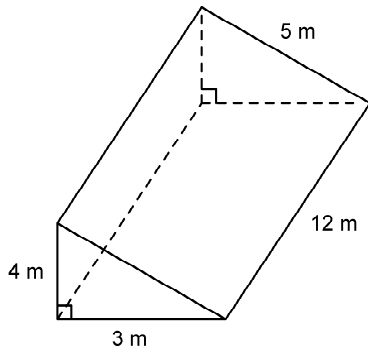


- a. 720 cm^2 b. 868 cm^2 c. 660 cm^2 d. 780 cm^2

Name: _____

ID: A

_____ 8. Calculate the surface area of this right triangular prism.



- a. 156 m^2 b. 168 m^2 c. 120 m^2 d. 108 m^2

_____ 9. The total area of the 3 rectangular faces of a right triangular prism is 56 cm^2 .
The total surface area of the prism is 68 cm^2 . Find the area of each triangular face.

a. 6 cm^2 b. 12 cm^2 c. 1.2 cm^2 d. 49.3 cm^2