

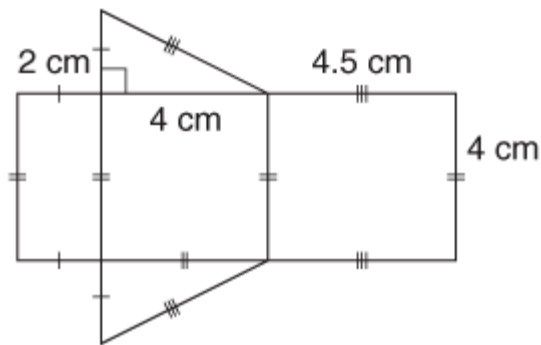
Complete the following exercises on this worksheet, using the answer key as a guide, and then submit by e-mail.

p.115

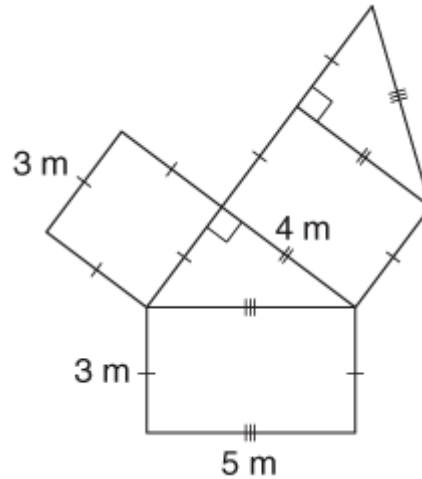
Practice

1. Calculate the area of each net.

a)

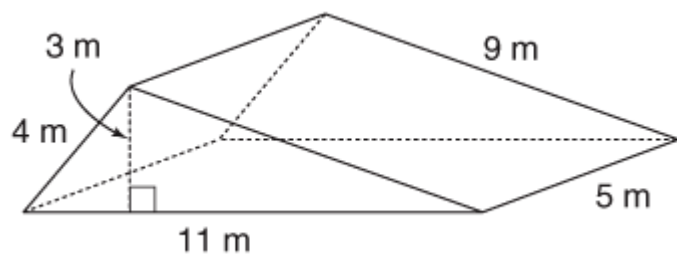


b)

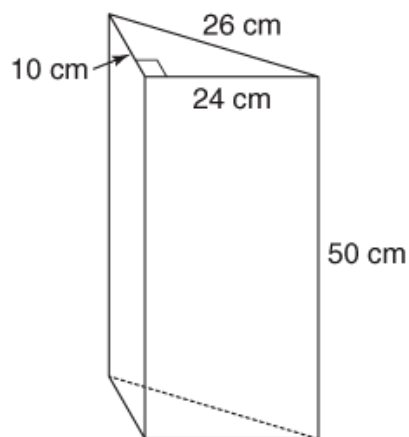


2. Calculate the surface area of each prism. Draw a net first
Write the surface area in square metres.

a)

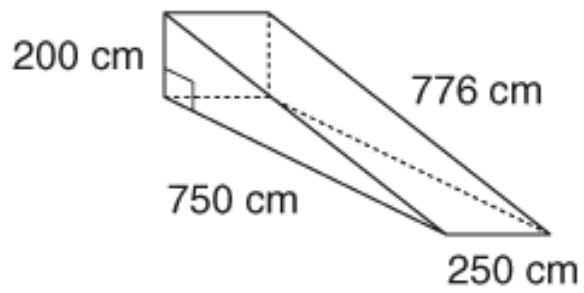


b)

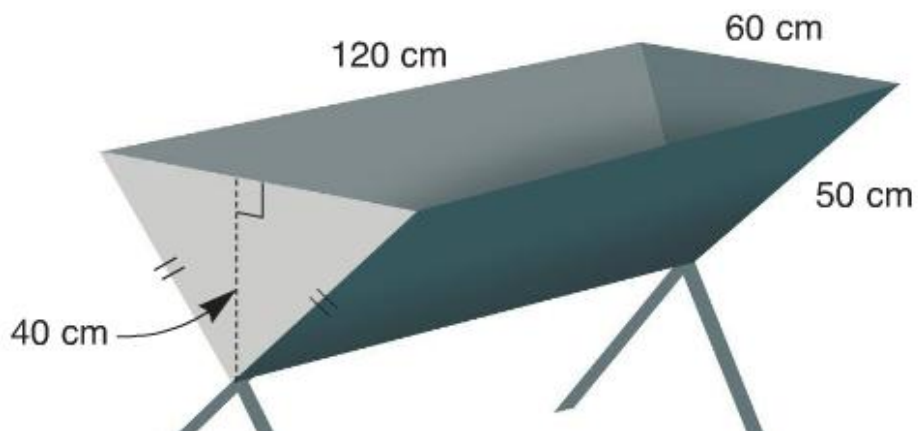


4. a) What area of wood, in square metres, is needed to make the ramp at the left?

The ramp does not have a base.



- 7. Assessment Focus** How much metal, in square metres, is needed to build this water trough?



Answer Key

1.a) 50 cm^2

b) 48 m^2

2.a) 153 m^2

b) 0.324 m^2

4.a) 39.4 m^2

b) 34.4 m^2

7. 1.44 m^2